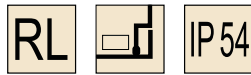


- Accessories
- Electronic lock
- Handle lock**
- Cylinder lock
- Plane lock
- Rod control lock
- Panel lock
- Toggle and hook
- Handles
- Door stop
- Hinge
- Seal gasket

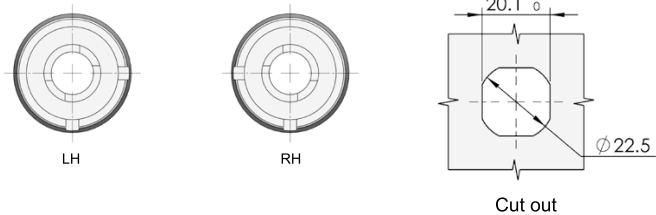
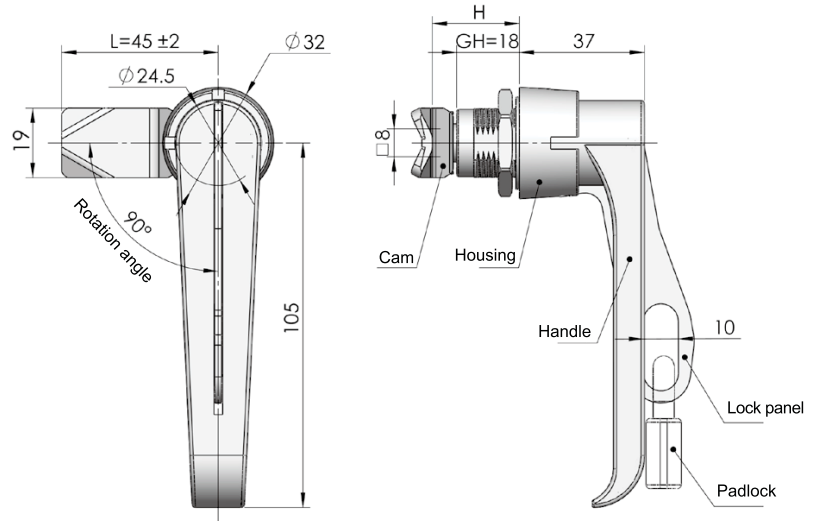
MS842



Main material and finish : Black pocked coated ZDC handle and housing, white zinc-plated steel cam, stainless steel lock panel or whole stainless steel for selection  
 Application : Quarter-turn opening or closing, padlockable

Default cam : S1B45Y07002  
 S1B45Y07022

Performance parameter:  
 Maximum static load: 270N  
 Recommended nut tightening torque:20N.m  
 Maximum input torque: 25N.m



Specification	Model	ERP
ZDC	MS842	MS842Z1B000003
Stainless steel	MS842-1B	MS842S4B000001

Remark : Default cam S1B4507 ( square 8\*8 cam optional )