

Accessories

Electronic lock


Handle lock

Cylinder lock

Plane lock

Rod control lock

MS868

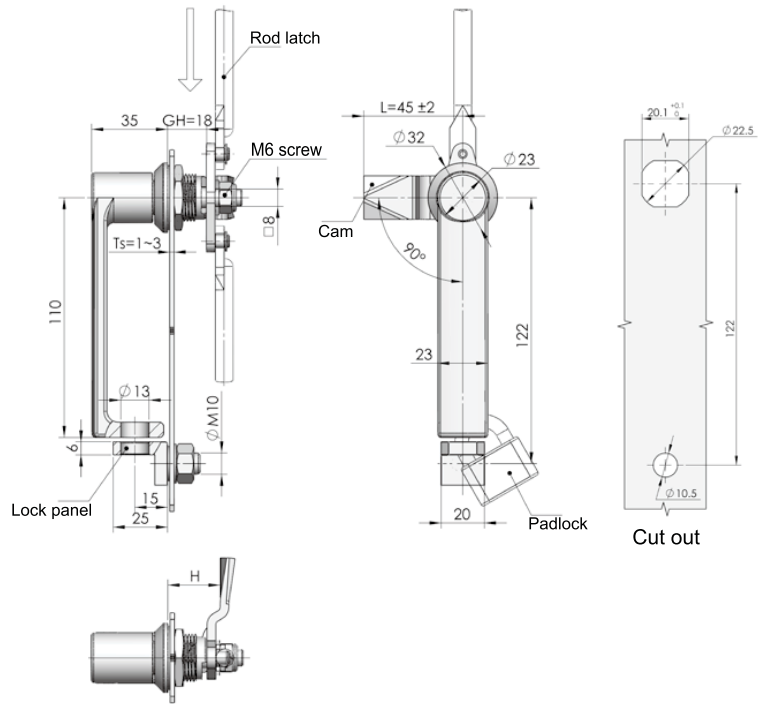


RL **IP54** **3PL**

Main material and finish : Black powder coated ALU handle and lock panel,ZDC housing,white zinc plated steel cam
 Application : Quarter-turn opening or closing, padlock available

Default cam : 2882450603

Performance parameter:
 Maximum static load: 270N
 Maximum input torque: 20N.m



ERP MS868Z1A000001

Remark : Default cam DS3B4506 (square 8*8 cam optional)

Panel lock

Toggle and hook


Handles

Door stop

Hinge

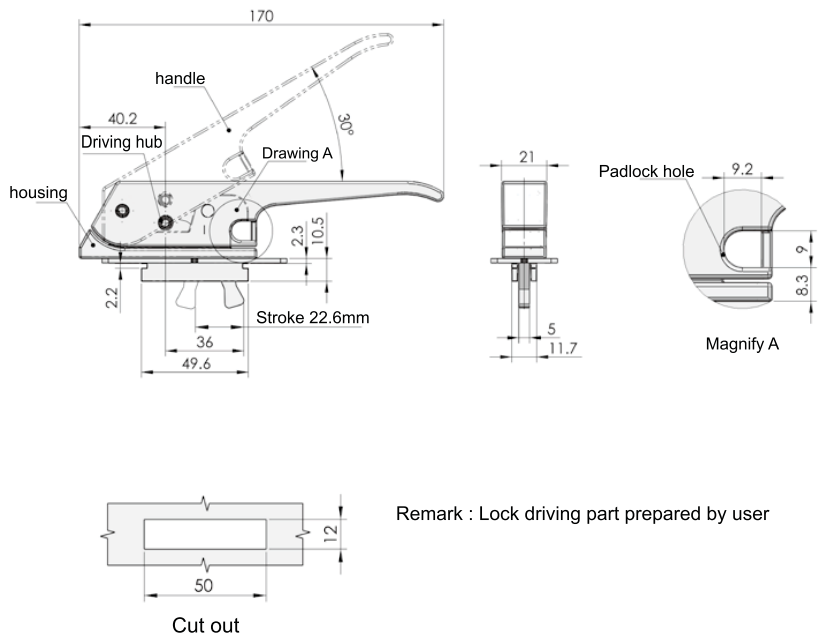
Seal gasket

MS887-1



Main material and finish : Black powder coated ZDC housing, handle, white zinc-plated steel cam
 Application : Handle combines with latch

Performance parameter:
 Handle load tension capability: 100N



ERP MS887Z1A000001

Remark : Lock driving part prepared by user