

ERP DK610S00000001

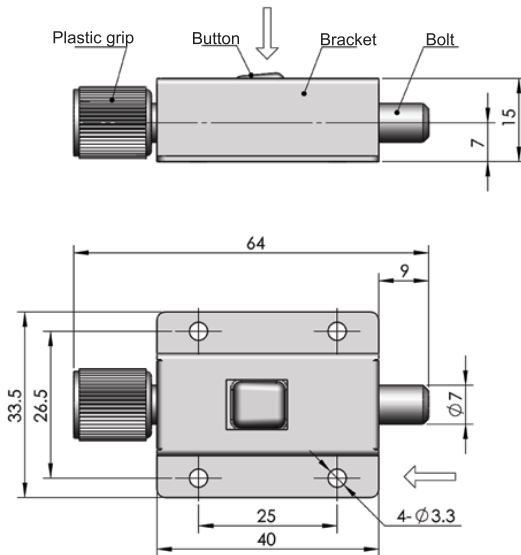
DK610



Main material and finish: Electrolytic stainless steel

Performance parameter:
Maximum static load: 765N

- Accessories
- Electronic lock
- Handle lock
- Cylinder lock
- Plane lock
- Rod control lock



ERP DK611S00000001

DK611



Main material and finish: Stainless steel bracket and button, chrome plated steel bolt with plastic grip

Performance parameter:
Maximum static load: 500N

- Panel lock
- Toggle and hook**
- Handles
- Door stop
- Hinge
- Seal gasket