

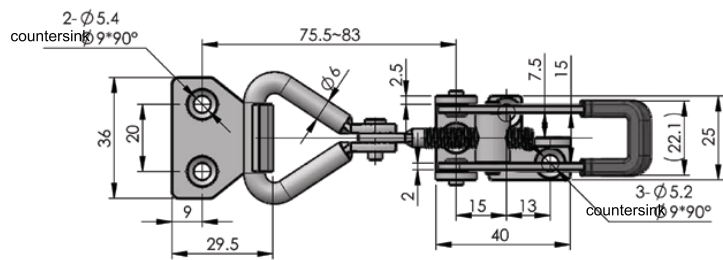
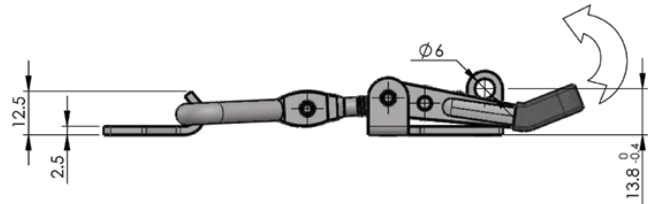
- Accessories
- Electronic lock
- Handle lock
- Cylinder lock
- Plane lock
- Rod control lock
- Panel lock
- Toggle and hook**
- Handles
- Door stop
- Hinge
- Seal gasket

**DK614**



Main material and finish: AISI316

Performance parameter:  
Maximum static load: 750N



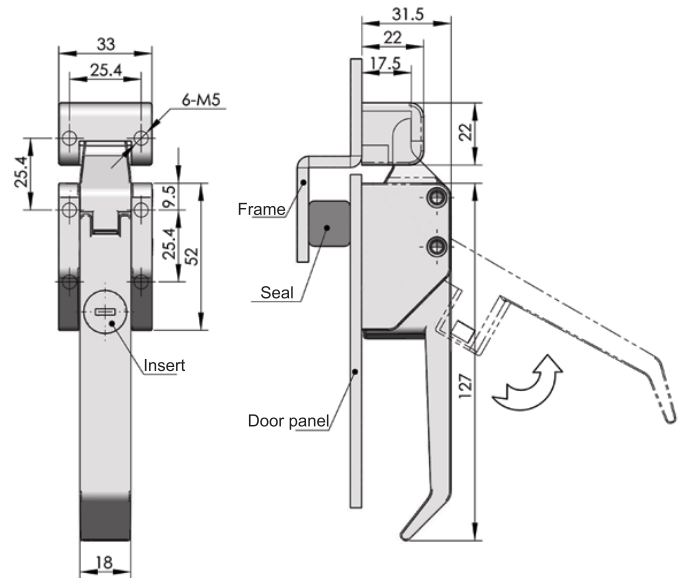
ERP DK614S4C000001

**DK615**



Main material and finish: spray(black light)  
ZDC housing, handle, keeper and stainless steel pin

Performance parameter:  
Maximum static load: 910N



	DK615-1 With insert	DK615-2 Without insert
ERP	DK615Z1A030002	DK615Z1A000001