

ERP

DK616Z3D000001

DK616



Main material and finish: White zinc plated ZDC housing, stainless steel lock button and spring, plastic seal

Accessories

Electronic lock

Handle lock

Cylinder lock

Plane lock

Rod control lock

DK617



Main material: Grinding and polishing stainless steel

Performance parameter:
Maximum static load: 320N

Panel lock

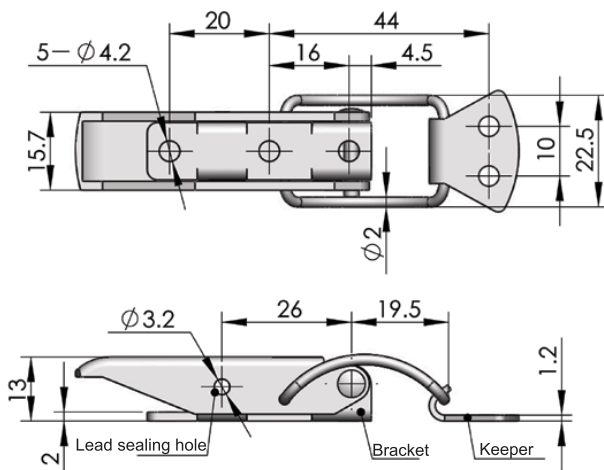
Toggle and hook

Handles

Door stop

Hinge

Seal gasket



ERP

DK617S00000001