

ERP

DK619S4C000001

DK619-9



Main material and finish: Stainless steel 304

Performance parameter:
Maximum static load: 140N

Accessories

Electronic lock

Handle lock

Cylinder lock

Plane lock

Rod control lock

Panel lock

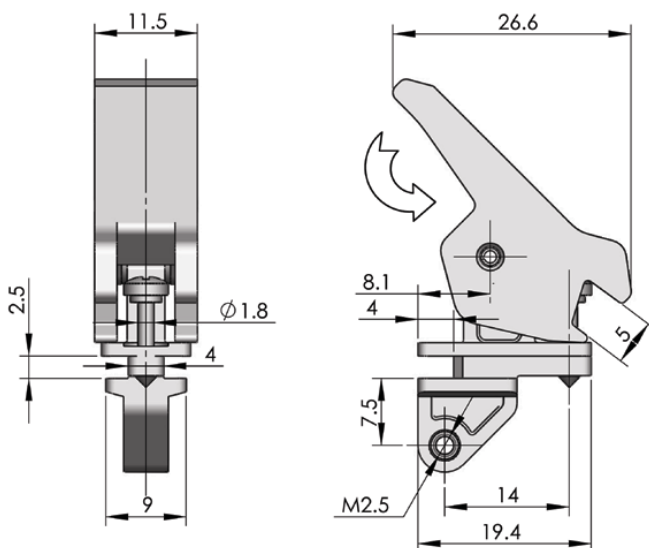
Toggle and hook

Handles

Door stop

Hinge

Seal gasket



ERP

DK623N00000001

DK623



Main material: PBT toggle, stainless steel screw

Performance parameter:
Maximum static load: 80N