

Accessories

Electronic lock


Handle lock

Cylinder lock

Plane lock

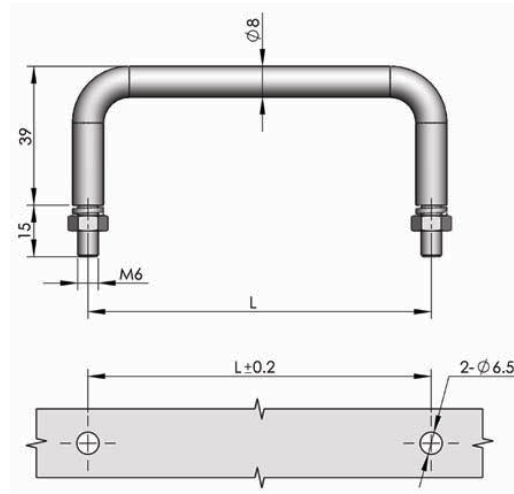
Rod control lock

LS507



Main material and finish: Silk black powder coated steel

Performance parameter:
Maximum static load: 1500N(item LS507-S75)



Cut out

Specification	Bright chrome-plated steel		Stainless steel	
	Model	ERP	Model	ERP
L=68	LS507-68	LS507F3A068001	LS507-S68	LS507S4A068001
L=75	LS507-75	LS507F3A075001	LS507-S75	LS507S4A075001
L=100	LS507-100	LS507F3A075001	LS507-S100	LS507S4A100001
L=150	LS507-150	LS507F3A150001	LS507-S150	LS507S4A150001

Panel lock

Toggle and hook

LS510



Material: ZDC

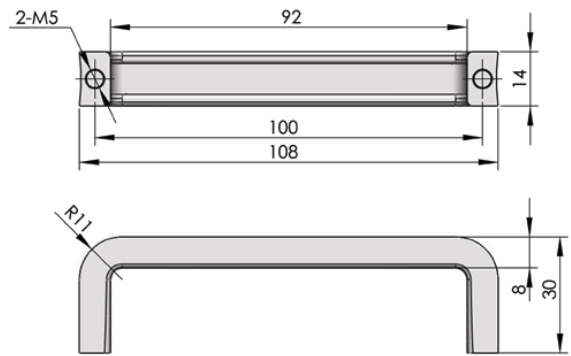
Performance parameter:
Maximum static load: 1500N

Handles

Door stop

Hinge

Seal gasket



Cut out

	chrome plated	Nanometer painted
ERP	LS510Z3A100001	LS510Z2B100001