

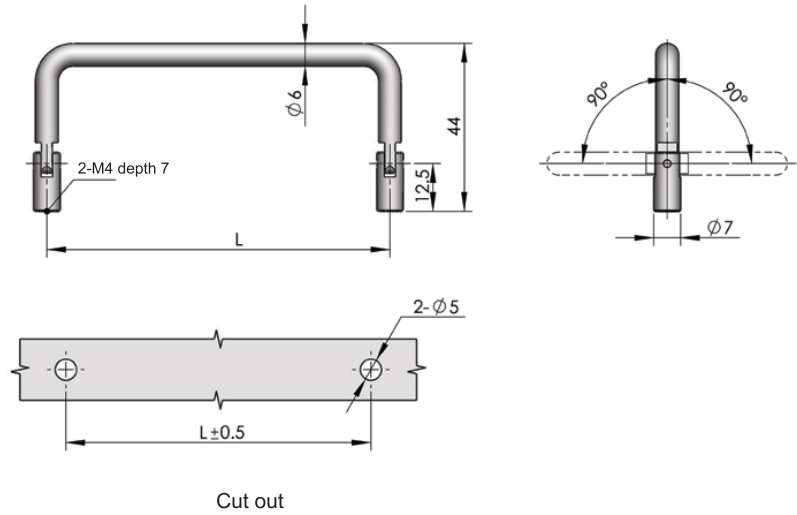
- Accessories
- Electronic lock
- Handle lock
- Cylinder lock
- Plane lock
- Rod control lock
- Panel lock
- Toggle and hook
- Handles**
- Door stop
- Hinge
- Seal gasket

LS509



Main material and finish: Polished or bright chrome-plated stainless steel or steel

Performance parameter:
Maximum static load: 1000N (L=90)



Specification	Bright chrome-plated steel		Stainless steel	
	Model	ERP	Model	ERP
L=55	LS509-55	LS509F3A055001	LS509-S55	LS509S4A055001
L=60	LS509-60	LS509F3A060001	LS509-S60	LS509S4A060001
L=70	LS509-70	LS509F3A070001	LS509-S70	LS509S4A070001
L=74	LS509-74	LS509F3A074001	LS509-S74	LS509S4A074001
L=84	LS509-84	LS509F3A084001	LS509-S84	LS509S4A084001
L=90	LS509-90	LS509F3A090001	LS509-S90	LS509S4A090001
L=102	LS509-102	LS509F3A102001	LS509-S102	LS509S4A102001
L=122	LS509-122	LS509F3A122001	LS509-S122	LS509S4A122001
L=138	LS509-138	LS509F3A138001	LS509-S138	LS509S4A138001