


LS513



Accessories

Electronic lock

Handle lock

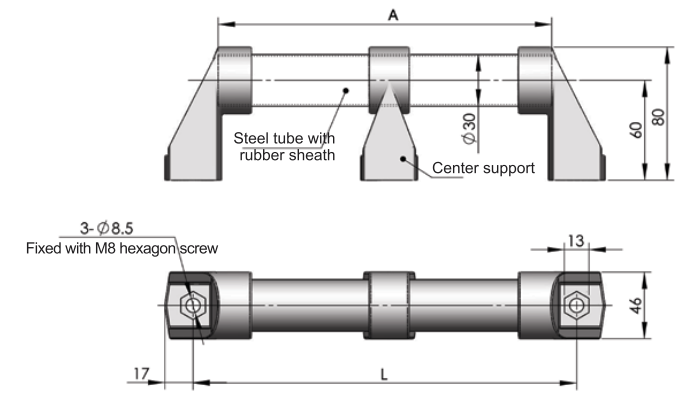
Cylinder lock

Plane lock

Rod control lock


Main material and finish: Rubber sheath, steel tube, black PA end pieces and center support

Performance parameter:
Maximum static load: 600N (L=300)



Specification		Model	ERP
L	A		
300	266	LS513-300	LS513N00300001
400	366	LS513-400	LS513N00400002
500	466	LS513-500	LS513N00500001
600	566	LS513-600	LS513N00600001
700	666	LS513-700	LS513N00700002
800	766	LS513-800	LS513N00800001
900	866	LS513-900	LS513N00900002
1000	966	LS513-1000	LS513N00000A02
2000	1966	LS513-2000	LS513N00000B01

LS515



Panel lock

Toggle and hook

Handles

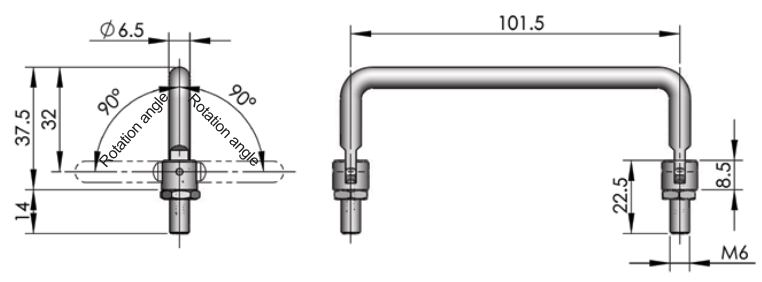
Door stop

Hinge

Seal gasket

Main material and finish: Black powder coated steel

Performance parameter:
Maximum static load: 800N



ERP	LS515F1A102001
-----	----------------