

ERP

LS521N00178001

LS521



Main material and finish: Black ABS

Performance parameter:  
Maximum static load: 1050N

Accessories

Electronic lock

Handle lock

Cylinder lock

Plane lock

Rod control lock

LS523



Main material and finish: Bright chrome plated ZDC

Performance parameter:  
Maximum static load: 400N

Panel lock

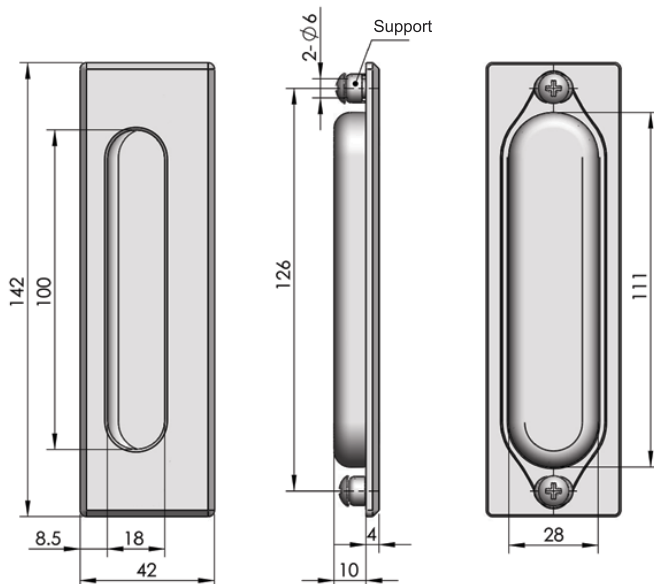
Toggle and hook

Handles

Door stop

Hinge

Seal gasket



ERP

LS523Z3A126001