

ERP CL204S4A020

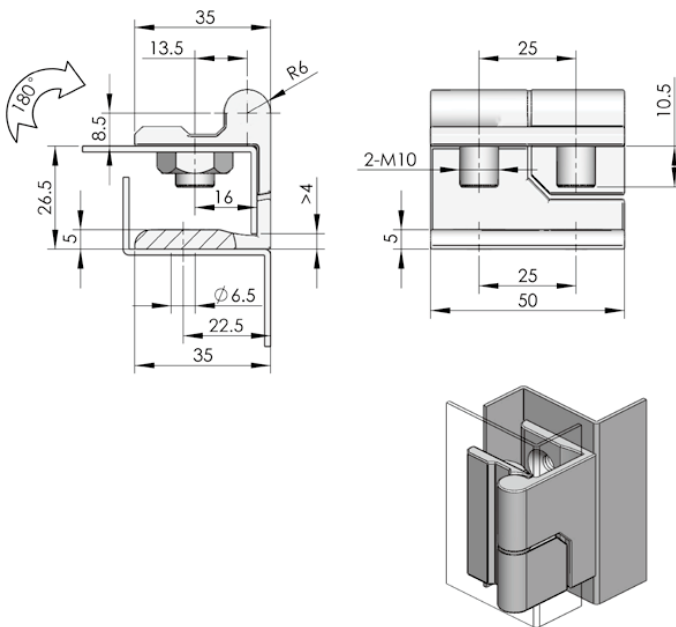
CL204-7



Main material and finish: Mirror polishing
SUS304 stainless steel hinge
Application: Opening angle 180°

Performance parameter:
Maximum static load
Radial load: 1500N
Axial load: 2000N

- Accessories
- Electronic lock
- Handle lock
- Cylinder lock
- Plane lock
- Rod control lock



Specification	Model	ERP	
		Black powder coated	Pocked black powder coated
Left hand	CL205-1-Z	CL205Z1A001	CL205Z1B001
Right hand	CL205-1-Y	CL205Z1A002	CL205Z1B002

CL205-1



Main material and finish: ZDC hinge
Application: Opening angle 180°

Performance parameter:
Maximum static load
Radial load: 917N
Axial load: 710N



- Panel lock
- Toggle and hook
- Handles
- Door stop
- Hinge
- Seal gasket