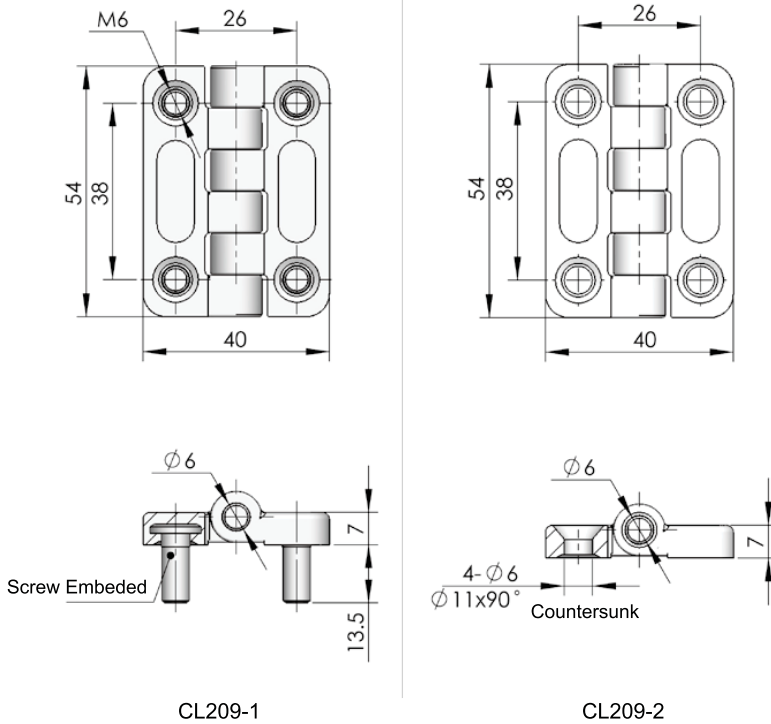


- Accessories
- Electronic lock
- Handle lock
- Cylinder lock
- Plane lock
- Rod control lock
- Panel lock
- Toggle and hook
- Handles
- Door stop
- Hinge
- Seal gasket

CL209-1



CL209-2



CL209-1

CL209-2



Main material and finish: ZDC hinge and steel pin
Application: Opening angle 180°

Performance parameter:
Maximum static load
Radial load: 1500N
Axial load: 1800N
Embedded screw recommended
tightening torque : 10N.m

Specification	ERP	
	CL209-1	CL209-2
Bright chrome-plated	CL209Z3A001	CL209Z3A002
Matt black powder coated	CL209Z1A001	CL209Z1A015
Pocked black powder coated	CL209Z1B001	CL209Z1B002
Nanometer painted	CL209Z2B001	CL209Z2B006