

- Accessories
- Electronic lock
- Handle lock
- Cylinder lock
- Plane lock
- Rod control lock
- Panel lock
- Toggle and hook
- Handles
- Door stop
- Hinge
- Seal gasket

### CL220



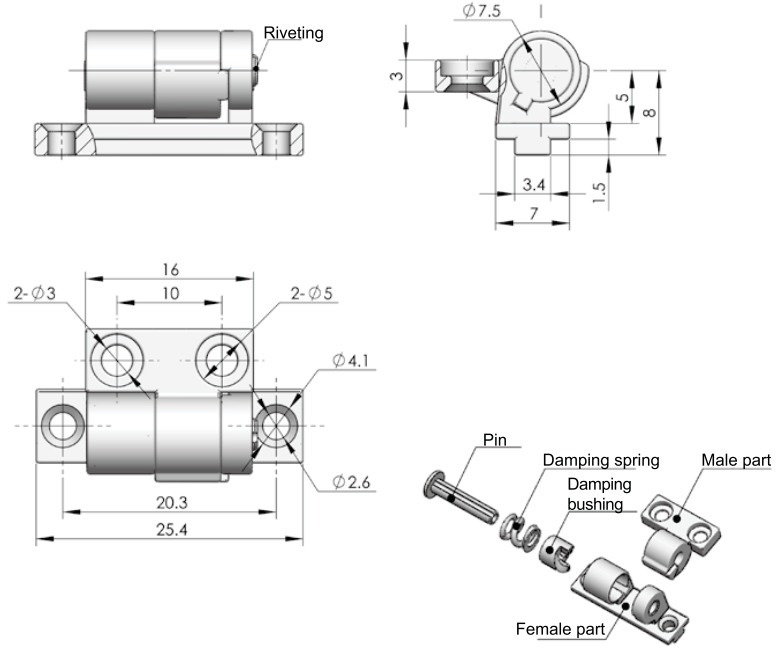
Main material and finish: Gray chrome-plated ZDC hinge, nickel-plated steel pin

Performance parameter:

Maximum static load

Radial load: 290N

Axial load: 160N



ERP	CL220Z3B001
-----	-------------

### CL221



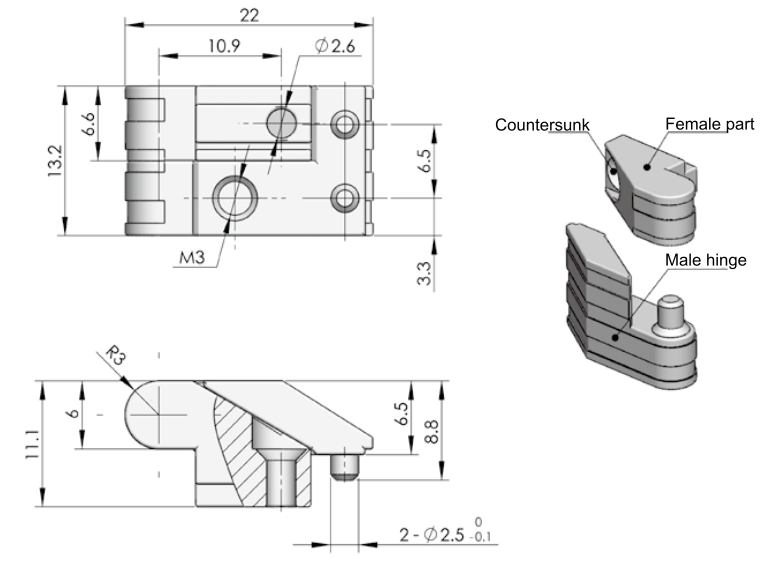
Main material and finish: Nanometer painted ZDC hinge

Performance parameter:

Maximum static load

Radial load: 55N

Axial load: 75N



ERP	Specification
CL221Z2B001	LH applicable
CL221Z2B002	RH applicable