

- Accessories
- Electronic lock
- Handle lock
- Cylinder lock
- Plane lock
- Rod control lock
- Panel lock
- Toggle and hook
- Handles
- Door stop
- Hinge
- Seal gasket

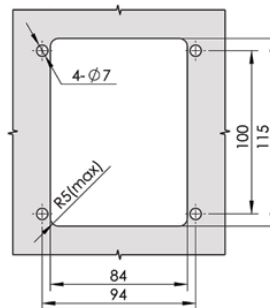
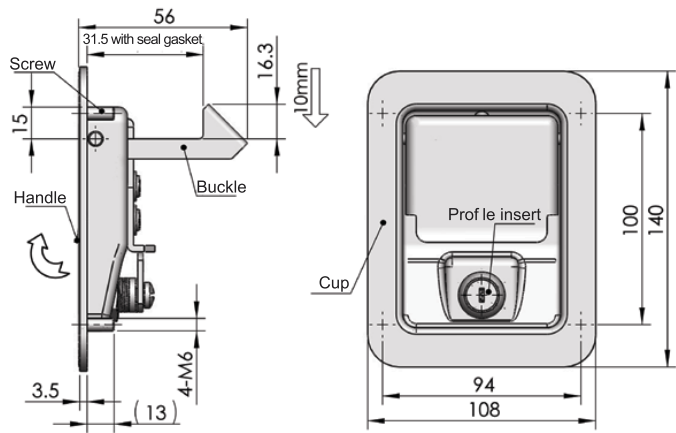
MS866-5



Main material and finish: Silk black steel cup and handle, nickel-plated ZDC profile insert, zinc-plated steel latch, support and weld screw

Remark: Default key K082

Performance parameter:
 Handle load tension capability: $\phi 145N$
 Cam loading capability: $\phi 800N$

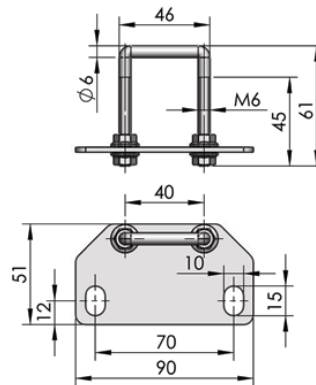


Cut out

Remark: default product is without keeper

Specification	Without insert		With insert	
	Model	ERP	Model	ERP
H=31.5	MS866-5	MS866F1A080001	MS866-5A	MS866F1A000003
H=44	MS866-5B	MS866F1A080002	MS866-5BA	MS866F1A000004
H=55	MS866-5C	MS866F1A080003	MS866-5CA	MS866F1A000005

Pull buckle



ERP	2138665001
-----	------------