
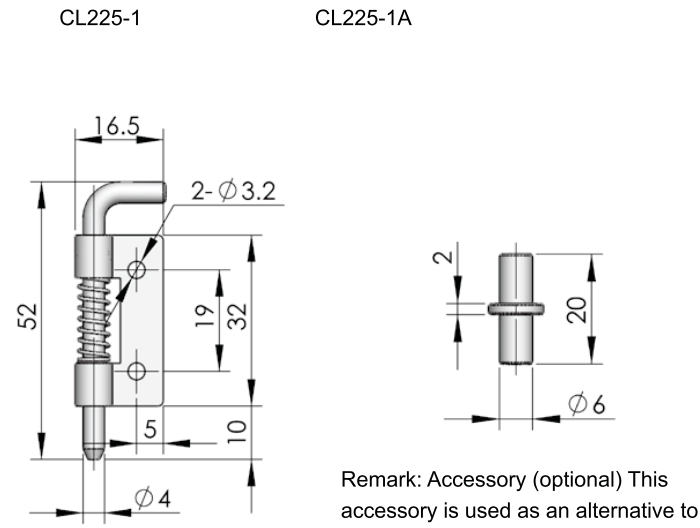
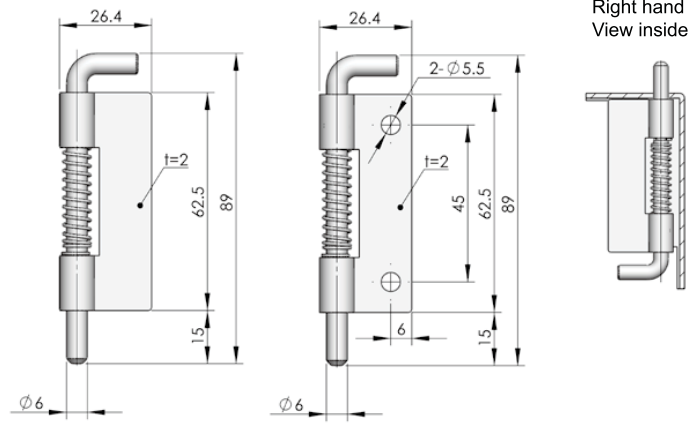
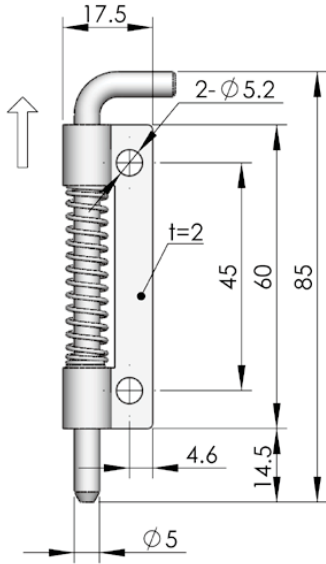


Accessories	CL225
Electronic lock	CL225-1
Handle lock	
Cylinder lock	CL225-1A
Plane lock	
Rod control lock	CL225-2
Panel lock	
Toggle and hook	<p>Main material and finish: White zinc plated steel hinge leaf</p> <p>Performance parameter: Maximum static load</p>
Handles	<p>Model: CL225-1/1A Radial load: 150N Axial load: 200N</p>
Door stop	<p>Model: CL225-2 Radial load: 100N Axial load: 130N</p>
Hinge	
Seal gasket	



Remark: Accessory (optional) This accessory is used as an alternative to the hinge with pin, usually fitted at the bottom of the door as load-bearing fixing door

LH		RL		Specification
Model	ERP	Model	ERP	
CL225-1-Z	CL225F3D001	CL225-1-Y	CL225F3D004	Standard type: white zinc plated steel hinge. A means hinge with two mounting holes, S means grinding vibration polishing stainless steel hinge.
CL225-1-S-Z	CL225S00001	CL225-1-S-Y	CL225S00002	
CL225-1A-Z	CL225F3D008	CL225-1A-Y	CL225F3D007	
CL225-1A-S-Z	CL225S00010	CL225-1A-S-Y	CL225S00011	
CL225-2-Z	CL225F3D011	CL225-2-Y	CL225F3D012	White zinc plated steel hinge with two mounting holes



	LH	RH
ERP	CL225F3D022	CL225F3D019

CL225-3



Main material and finish: White zinc plated steel hinge leaf

Performance parameter:  
Maximum static load  
Radial load: 150N  
Axial load: 250N

Accessories

Electronic lock

Handle lock

Cylinder lock

Plane lock

Rod control lock

Panel lock

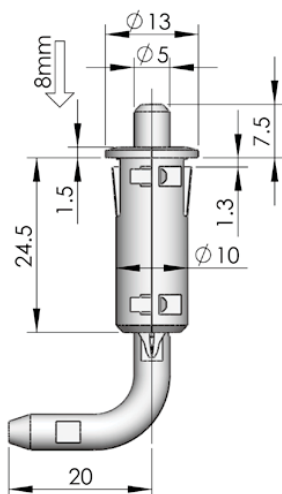
Toggle and hook

Handles

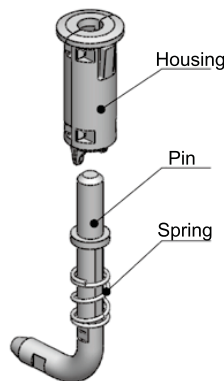
Door stop

Hinge

Seal gasket



Exploded drawing



ERP	CL225N00001
-----	-------------

CL225-5



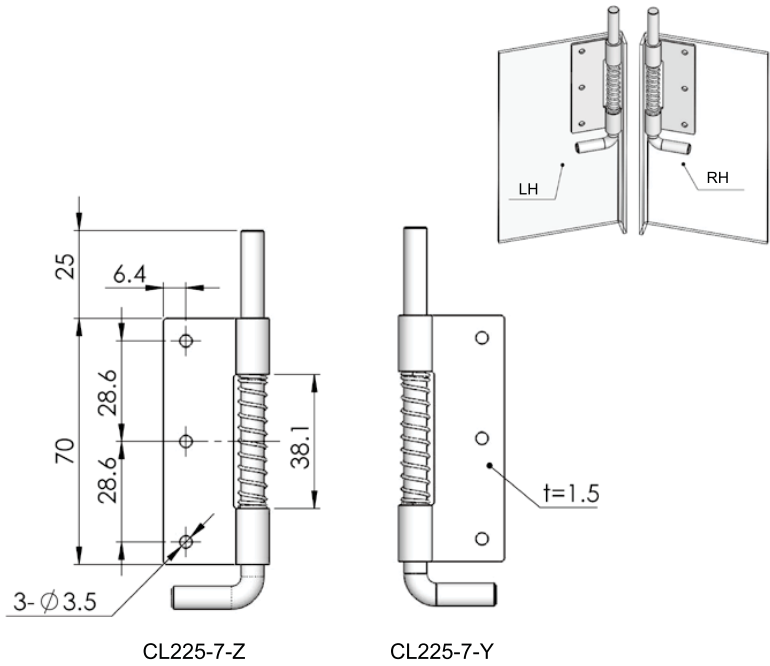
Main material and finish: Black PA housing, white zinc-plated ZDC latch, stainless steel spring  
Application: Telescopic 8mm

- Accessories
- Electronic lock
- Handle lock
- Cylinder lock
- Plane lock
- Rod control lock
- Panel lock
- Toggle and hook
- Handles
- Door stop
- Hinge
- Seal gasket



Main material and finish: White zinc plated steel hinge leaf

Performance parameter:  
 Maximum static load  
 Radial load: 525N  
 Axial load: 125N

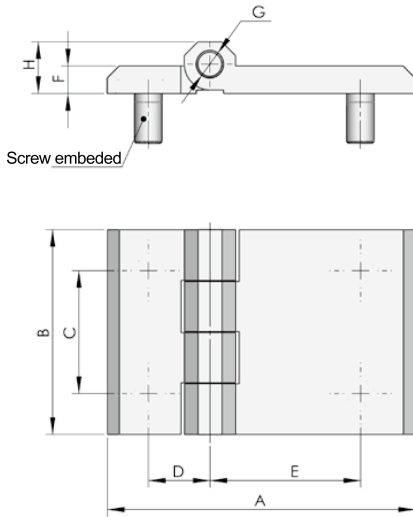


	CL225-7-Z LH	CL225-7-Y RH
ERP	CL225F3J001	CL225F3J002



Main material and finish: Black powder coated ZDC hinge, nickel-plated steel pin  
 Application: Opening degree 180°

Performance parameter:  
 Maximum static load  
 Radial load: 1120N  
 Axial load: 1200N  
 Embedded screw recommended  
 tightening torque : 12N.m



Model	ERP	Specification								Remark
		A	B	C	D	E	F	G	H	
CL226-4-1	CL226Z1A019	90	60	36	18	44	8	8	15	Ø8.4 Countersunk hole, ZDC
CL226-4A-1	CL226Z1A020	90	60	36	18	44	8	8	15	M8 Screw embedded, ZDC
CL226-4-2	CL226Z1A021	63	50	30	15	28	6	6	11.5	Ø6.3 Countersunk hole, stainless steel
CL226-4A-2	CL226Z1A022	63	50	30	15	28	6	6	11.5	M6 Screw embedded, ZDC