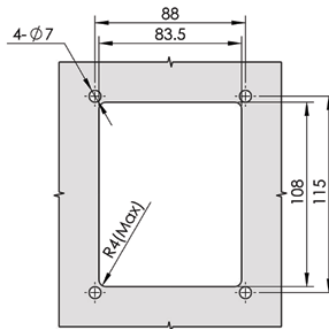
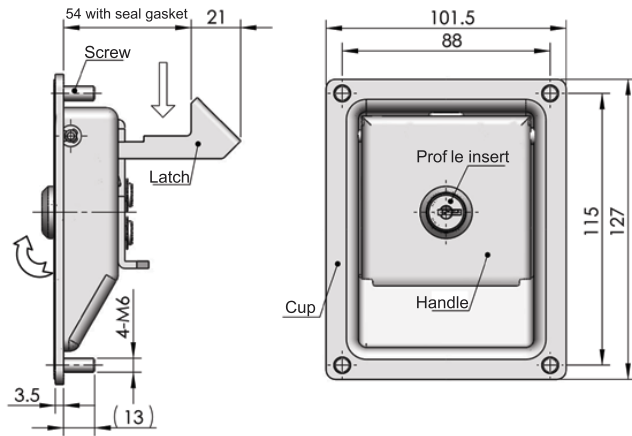


- Accessories
- Electronic lock
- Handle lock
- Cylinder lock
- Plane lock
- Rod control lock
- Panel lock**
- Toggle and hook
- Handles
- Door stop
- Hinge
- Seal gasket

MS866-6



Main material and finish: Silk black steel cup, handle and ZDC profile insert, zinc-plated steel latch, support and weld screw
 Remark: Default key K160

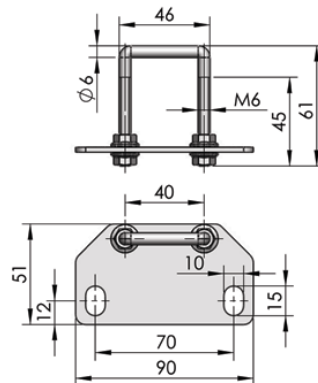


Cut out

Remark: default product is with out keeper

	With insert		Without insert	
	Model	ERP	Model	ERP
H=30.5	MS866-6	MS866F1A160004	MS866-6A	MS866F1A000011
H=43	MS866-6B	MS866F1A160003	MS866-6BA	MS866F1A000010
H=54	MS866-6C	MS866F1A160002	MS866-6CA	MS866F1A000009

Pull buckle



ERP	2138665001
-----	------------