

ERP CL105F3D001

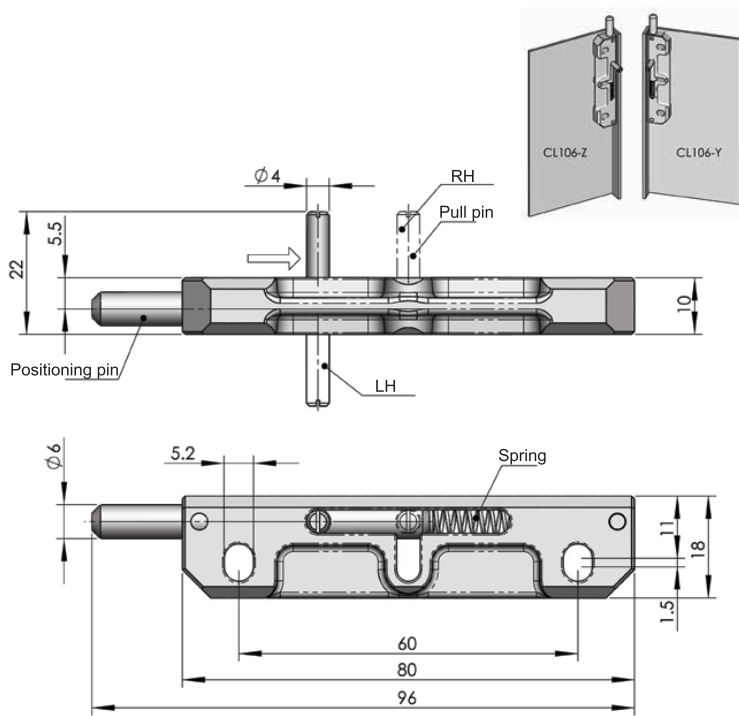
CL105



Main material and finish: 3+ zinc plated steel hinge and pin  
Application: Opening angle 180°

Performance parameter:  
Maximum static load  
Radial load: 60N  
Axial load: 120N

- Accessories
- Electronic lock
- Handle lock
- Cylinder lock
- Plane lock
- Rod control lock



ERP CL106Z3I001

CL106



Main material and finish: Sand-spraying and nickel plated ZDC hinge, stainless steel shaft and spring  
Application: By changing the direction of pin to realise the shift between LH and RH

Performance parameter:  
Maximum static load  
Radial load: /N  
Axial load: 645N

- Panel lock
- Toggle and hook
- Handles
- Door stop
- Hinge
- Seal gasket