

	MS866-7 With insert	MS866-7A Without insert
ERP	MS866S4A410001	MS866S4A000004

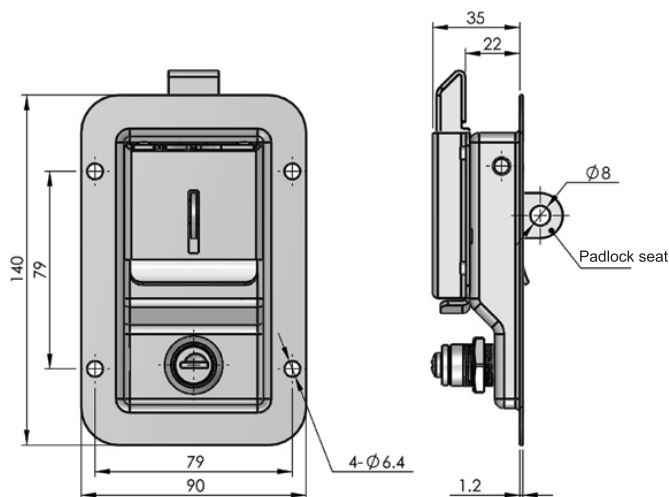
MS866-7



Main material and finish: Stainless steel cup, handle, latch and cam, bright chrome-plated profile insert
 Remark: Default key K410

Performance parameter:
 Handle load tension capability: $\phi 150N$
 Cam loading capability: $\phi 550N$

- Accessories
- Electronic lock
- Handle lock
- Cylinder lock
- Plane lock
- Rod control lock



ERP	MS866S4A410004
-----	----------------

MS866-7-1P



Main material and finish: Stainless steel cup, handle
 Finish: Mirror polished cup and handle

Performance parameter:
 Handle load tension capability: $\phi 150N$
 Cam loading capability: $\phi 550N$

- Panel lock
- Toggle and hook
- Handles
- Door stop
- Hinge
- Seal gasket