

- Accessories
- Electronic lock
- Handle lock
- Cylinder lock
- Plane lock
- Rod control lock
- Panel lock
- Toggle and hook
- Handles
- Door stop
- Hinge
- Seal gasket

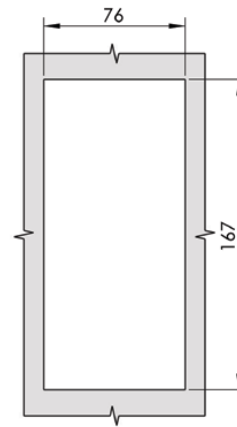
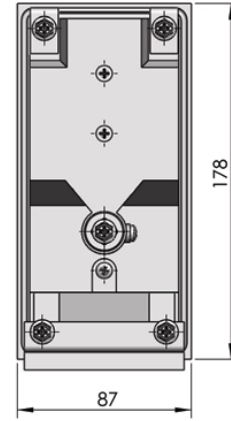
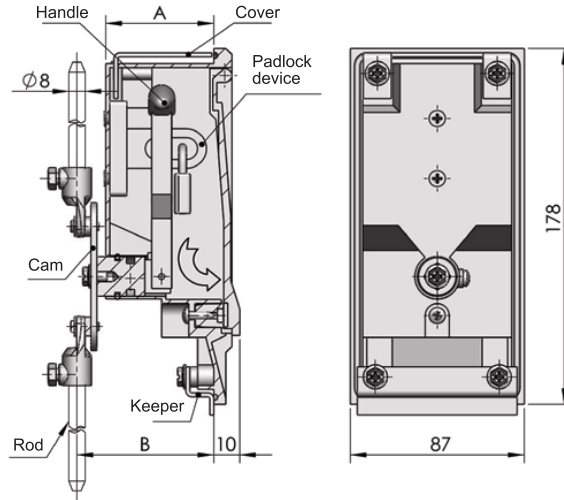
MS850-2
MS850-2A



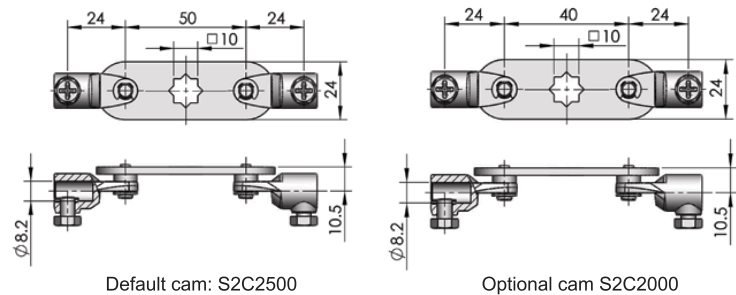
Main material and finish: Gray powder coated ALU housing, handle, padlock device, cover and shaft, zinc-plated steel cam and keeper

Default cam: 2893250016

Performance parameter:
Handle load torque capability: $\phi 25N.m$



Cut out



Item	ERP	Specification	
		A	B
MS850-2	MS850A1D000007	54	69
MS850-2A	MS850A1D000008	44	59