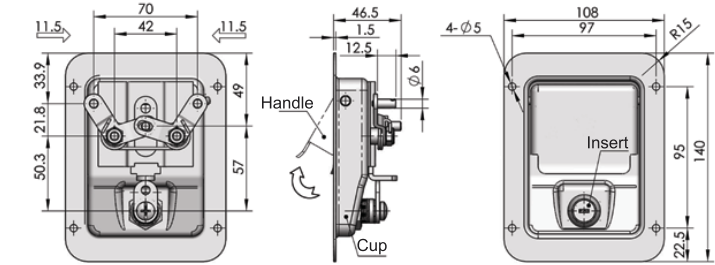


- Accessories
- Electronic lock
- Handle lock
- Cylinder lock
- Plane lock
- Rod control lock
- Panel lock**
- Toggle and hook
- Handles
- Door stop
- Hinge
- Seal gasket

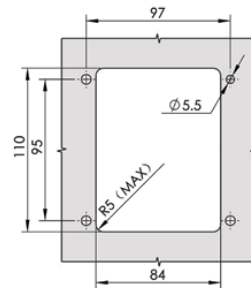
MS866-1



MS866-1

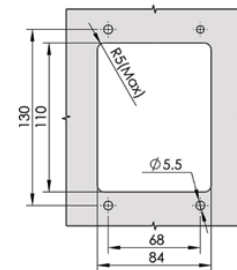
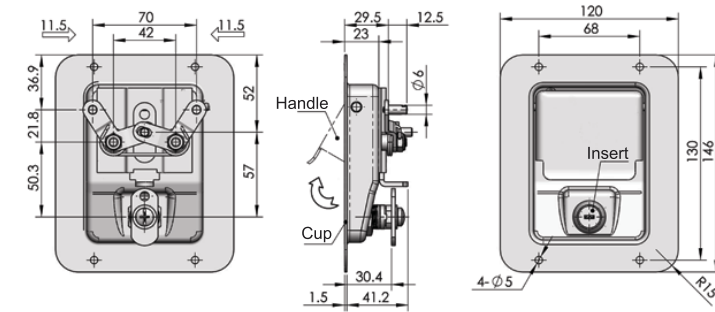


MS866-2



Cut out

MS866-2



Cut out

Main material and finish: Mirror polished stainless steel cup and handle, bright chrome-plated ZDC profile insert, zinc-plated other parts
 Remark: Default key K082

Performance parameter:
 Handle load tension capability: $\phi 130N$

	MS866-1	MS866-2
ERP	MS866S4A082001	MS866S4A082002