

- Accessories
- Electronic lock
- Handle lock**
- Cylinder lock
- Plane lock
- Rod control lock
- Panel lock
- Toggle and hook
- Handles
- Door stop
- Hinge
- Seal gasket

MS317



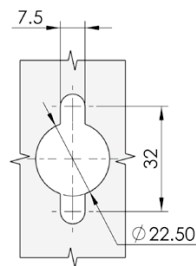
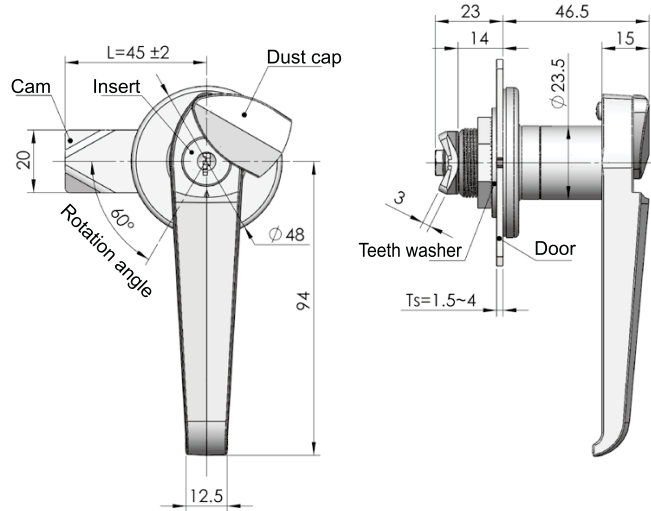
**RL** **IP54**

Main material and finish : Bright chrome-plated ZDC handle, housing and insert, white zinc-plated steel cam, teeth washer  
 Application : 60 degree rotation opening or closing

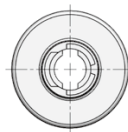
Remark : Default key K050

Default cam : S1B45Y00002

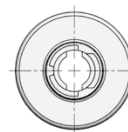
Performance parameter:  
 Maximum static load: 140N  
 Recommended nut tightening torque: 20N.m  
 Maximum input torque: 15N.m



Cut out



Opening from left rotation



Opening from right rotation

ERP MS317Z3A050001

Remark : Default cam S1B4500