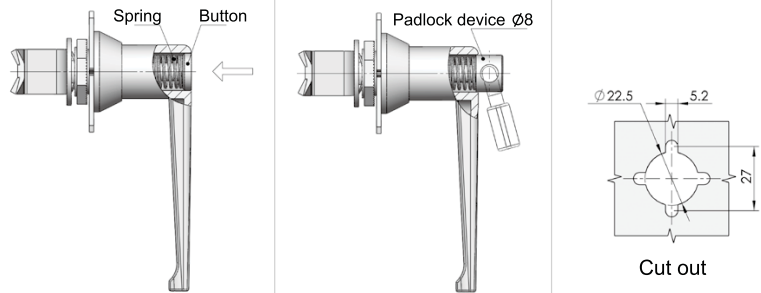
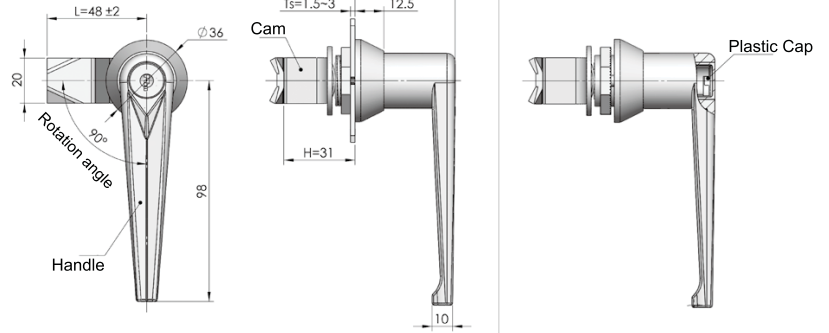


- Accessories
- Electronic lock
- Handle lock**
- Cylinder lock
- Plane lock
- Rod control lock
- Panel lock
- Toggle and hook
- Handles
- Door stop
- Hinge
- Seal gasket

MS301
MS302



RL

Main material and finish : Bright chrome-plated ZDC handle and housing, white zinc-plated steel cam, bright chrome plated button and white zinc plated shaft

Application : Quarter-turn opening or closing

Remark : Default Key K050

Default cam : S1H48Y19002

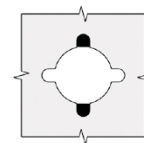
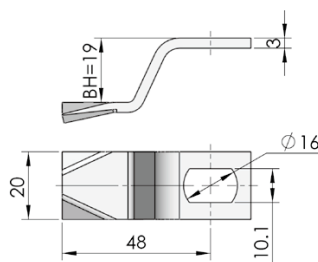
Performance parameter:

Maximum static load: 220N

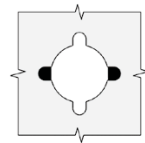
Recommended nut tightening torque: 20N.m

Maximum input torque: 15N.m

Cam S1H4819 (Optional)



RH Assembling



LH Assembling

Remark: shadow parts shows mounting hole allocation between housing and door panel

Specification	Model	ERP
With insert	MS301-1	MS301Z3A050008
Without insert	MS301-2	MS301Z3A000001
With button type	MS302-1	MS302Z3A000001
With padlock type	MS302-2	MS302Z3A000008

Remark : Default Cam S1H4819