

Remark : RH, LH, and cam selection refer to MS301 on catalogue

ERP MS304Z3A050008  
Remark : Default cam S1H4819

MS304



RL

Main material and finish : Bright chrome-plated ZDC handle and housing, white zinc-plated steel cam  
Application : Quarter -turn opening or closing  
Remark : Default Key K050  
Default cam : S1H48Y19002  
Performance parameter:  
Maximum static load: 220N  
Recommended nut tightening torque: 20N.m  
Maximum input torque: 15N.m

Accessories

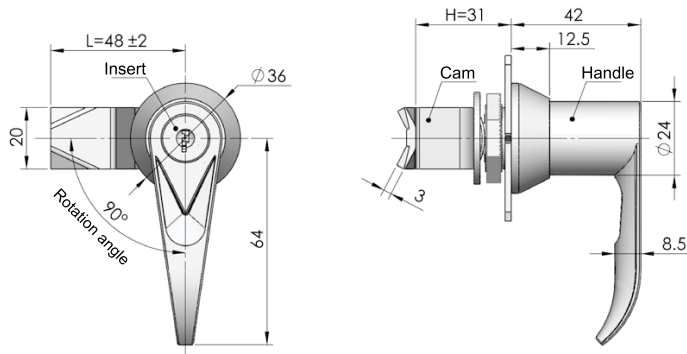
Electronic lock

Handle lock

Cylinder lock

Plane lock

Rod control lock



Remark:cut out size, RH, LH, and cam selection refer to MS301 on catalogue

Specifcation	Model	ERP
With insert	MS306-1	MS306Z3A050005
Without insert	MS306-2	MS306Z3A000007
With button type	MS306-3	MS306Z3A000002
With padlock type	MS306-4	MS306Z3A000006

Remark : Default Cam S1H4819

MS306



RL

Material and finish : Bright chrome-plated ZDC handle and housing,white zinc-plated steel cam,bright chrome plated steel button and shaft  
Application : Quarter-turn opening or closing  
Remark : Default key K050  
Default cam : S1H48Y19002  
Performance parameter:  
Maximum static load: 220N  
Recommended nut tightening torque: 20N.m  
Maximum input torque: 15N.m

Panel lock

Toggle and hook

Handles

Door stop

Hinge

Seal gasket