

Accessories

Electronic lock


Handle lock

Cylinder lock

Plane lock

Rod control lock

MS307

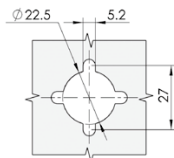
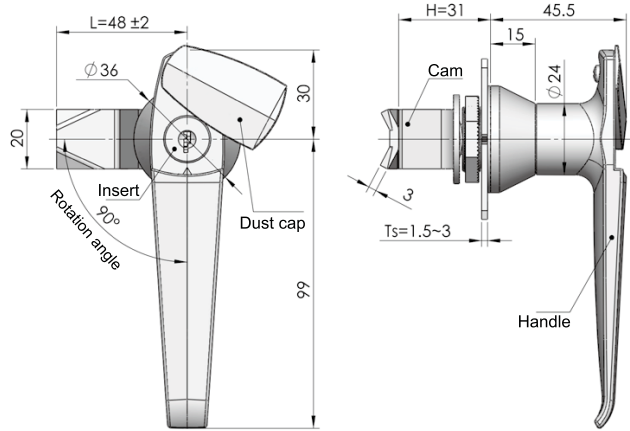


RL **IP54**

Main material and finish : Bright chrome-plated ZDC handle and housing, white zinc-plated steel cam
 Remark : Default key K050

Default cam : S1H48Y19002

Performance parameter:
 Maximum static load:220N
 Recommended nut tightening torque:20N.m
 Maximum input torque:15N.m



Cut out

Remark : RH,LH, and cam selection please refer to MS301 on catalogue

ERP **MS307Z3A050011**
 Remark : Default cam S1H4819

Panel lock

Toggle and hook


Handles


Door stop

Hinge

Seal gasket

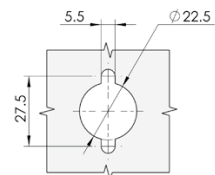
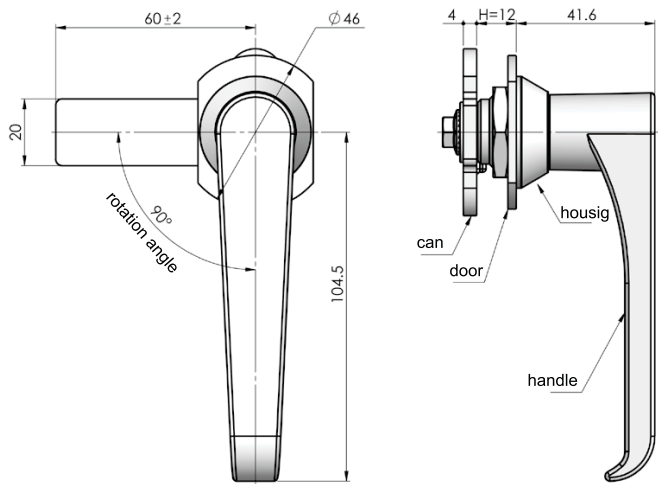
MS308-2



RL  **IP54**

Main material and finish:
 Bright chrome plated ZDC handle, housing and white zinc plated steel cam.
 Application: Quarter-turn opening and closing.
 Remark: No key,cut out size same as MS308

Performance parameter
 Maximum static load: 220N
 Recommended nut tightening torque:20N.m
 Maximum input torque: 15N.m



Cut out

ERP **MS308Z3A000004**