

- Accessories
- Electronic lock
- Handle lock
- Cylinder lock
- Plane lock
- Rod control lock**
- Panel lock
- Toggle and hook
- Handles
- Door stop
- Hinge
- Seal gasket

MS820

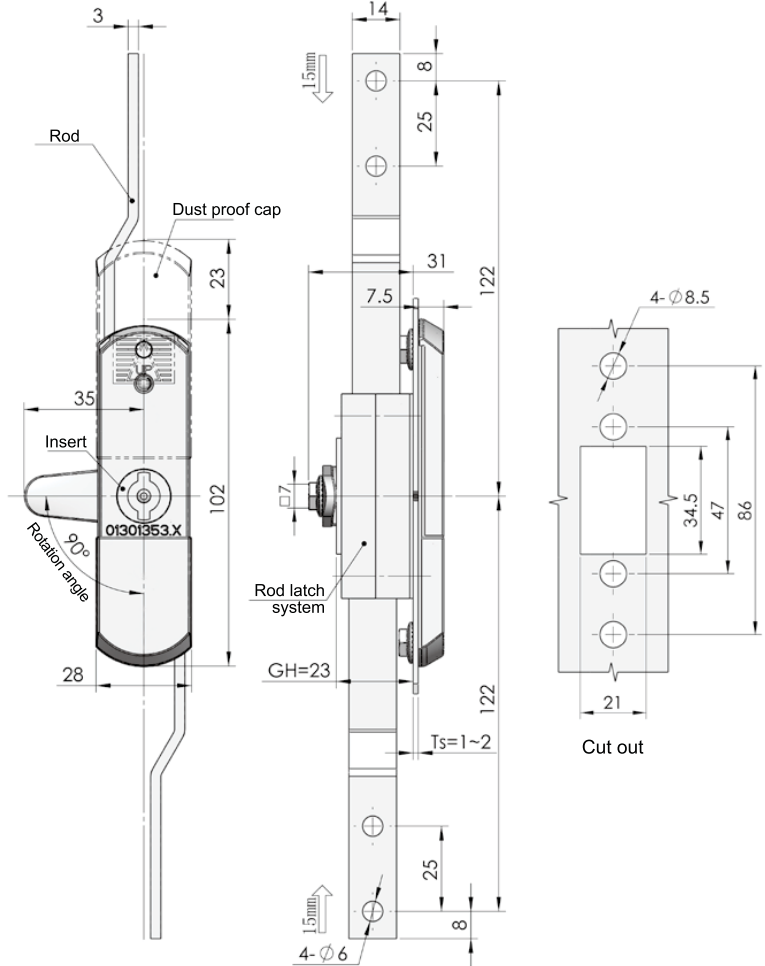


Main material and finish: Nanometer painted ZDC panel, dust-proof cap and insert, white zinc-plated steel cam and rod latch

Application: Quarter-turn rotation to open or close

Remark: Optional key K15-1

Performance parameter:  
input torque:  $\phi 9N.m$



Remark: Keep rod and rod latch in place while removing the cam and insert, rotating the rod latch in 180° to suit RH or LH application

Specification	Model	ERP
Hooked	MS820-1	MS820Z2BT03001
Triangular 8mm	MS820-3	MS820Z2BT04001
Cross insert	MS820-4	MS820Z2BE02001

Remark: Default cam S1A3500