

- Accessories
- Electronic lock
- Handle lock
- Cylinder lock
- Plane lock
- Rod control lock
- Panel lock
- Toggle and hook
- Handles
- Door stop
- Hinge
- Seal gasket

MS821

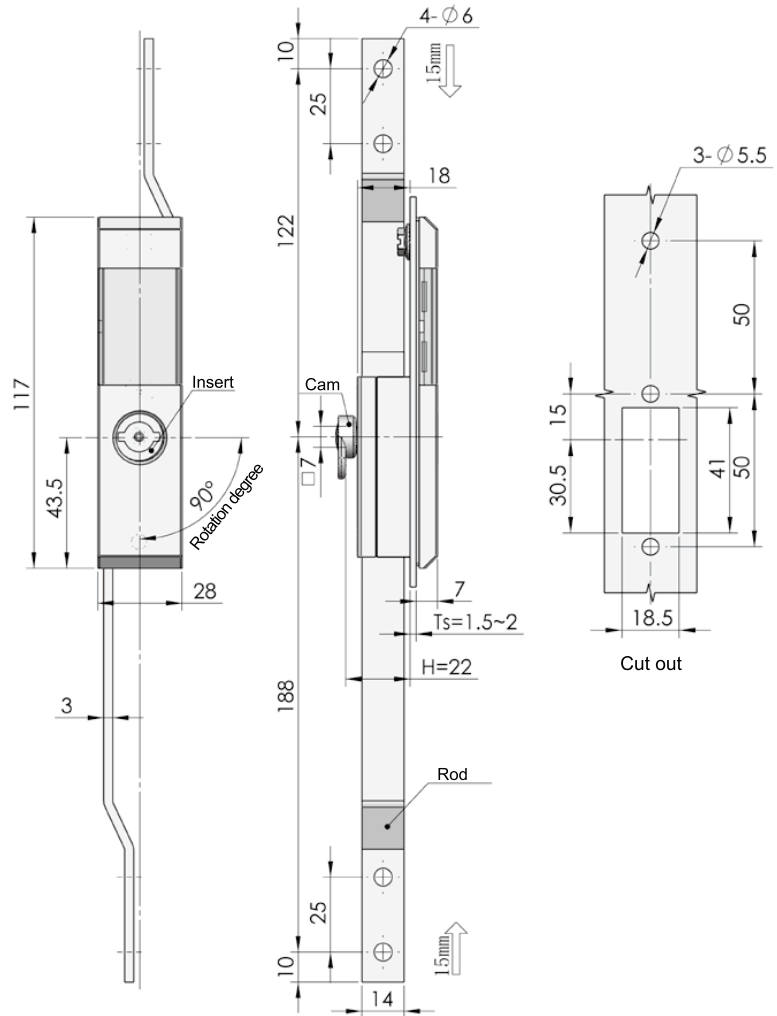


Main material and finish: Bright chrome plated ZDC insert, yellow gray ABS panel, white zinc-plated steel cam and ZDC rod latch, steel rod

Application: Insert quarter-turn rotation combines with rod latch system to open or close

Remark: Optional key K15-1

Performance parameter:  
input torque:  $\phi 3N.m$



Remark: Change rod and cam position to suit RH or LH application

ERP

MS821N00T01001