

- Accessories
- Electronic lock
- Handle lock
- Cylinder lock
- Plane lock
- Rod control lock
- Panel lock
- Toggle and hook
- Handles
- Door stop
- Hinge
- Seal gasket

### MS830

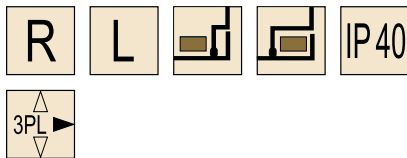


Finish: Yellow gray powder coated housing, black powder coated handle and shaft

### MS830-3



Finish : Nanometer painted



Main material and finish: ZDC housing, handle, and dust-proof cap, white zincplated steel cam and rod-latch

Application: Handle quarter-turn combines with rod latch system to open or close

Remark: MS830 default key K580  
MS830-3 default key K140

Performance parameter:

MS830:

Handle load tension capability:  $\phi 225\text{N}$

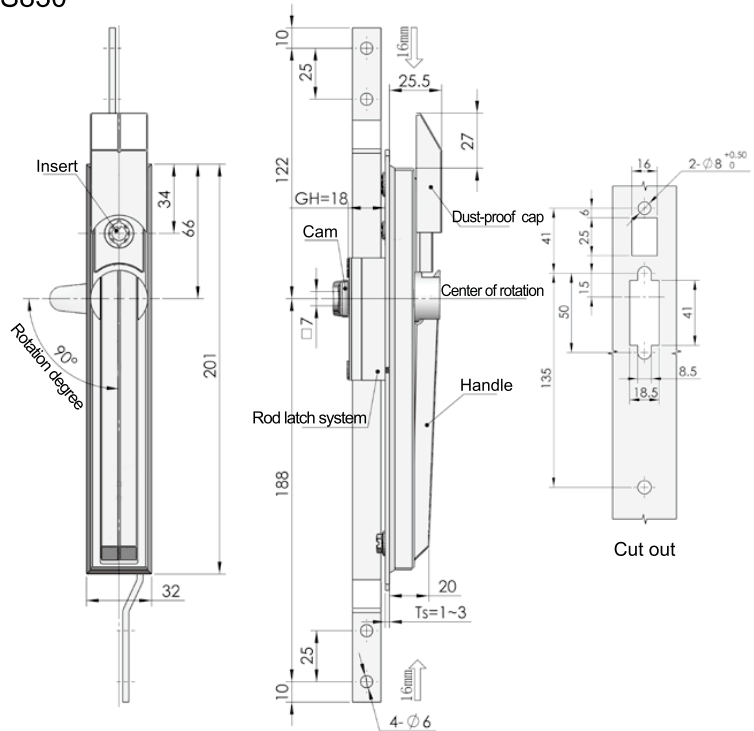
Handle load torque capability:  $\phi 14\text{N.m}$

MS830-3:

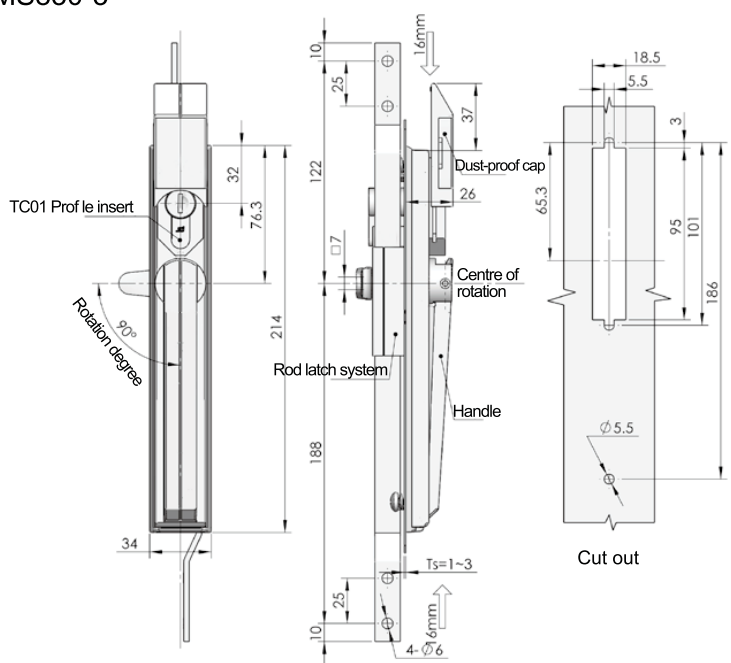
Handle load tension capability:  $\phi 325\text{N}$

Handle load torque capability:  $\phi 20\text{N.m}$

### MS830



### MS830-3



Remark: Change rod and cam position to suit RH or LH application

	MS830	MS830-3
ERP	MS830Z1EE04001	MS830Z2B140003

Remark: Default cam S1A3500