

- Accessories
- Electronic lock
- Handle lock
- Cylinder lock
- Plane lock
- Rod control lock
- Panel lock
- Toggle and hook
- Handles
- Door stop
- Hinge
- Seal gasket

MS876

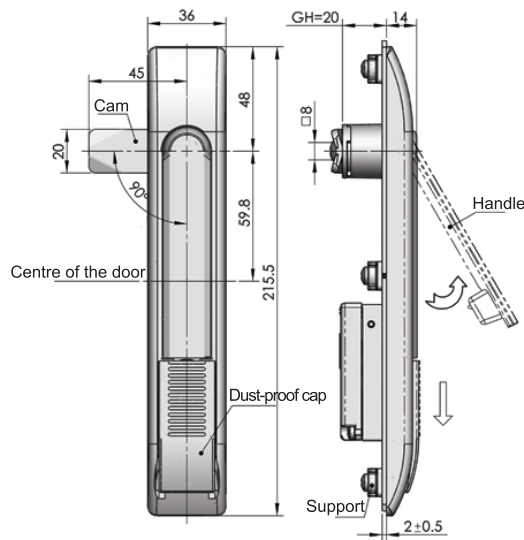
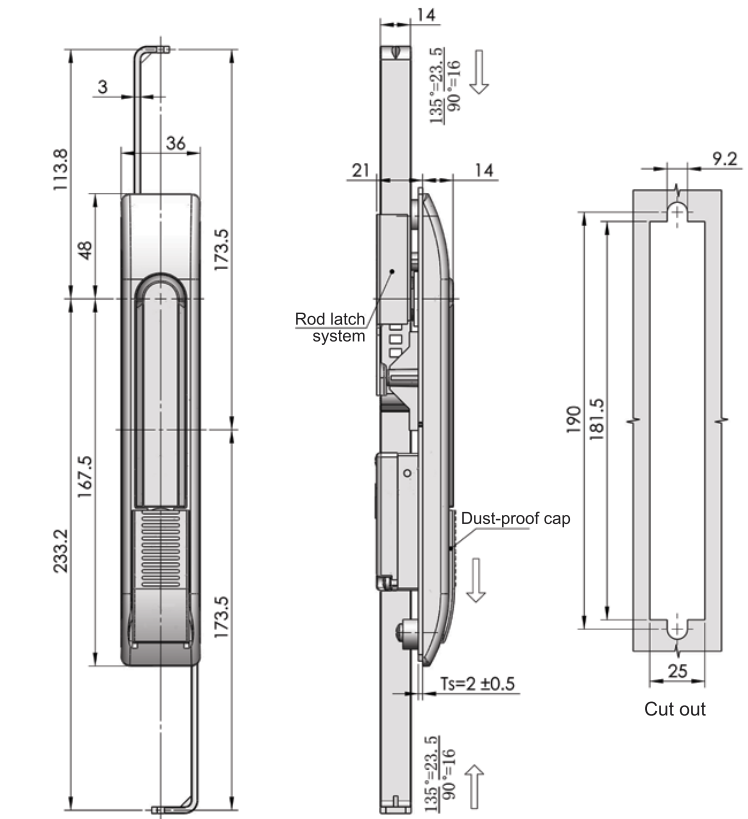


Main material and finish: Black PA housing, bright chrome plated ZDC handle, white zinc-plated steel rod
 Application: Handle rotation combines with rod latch to open or close
 Remark: Default key K140

Default cam: S1B45Y07002 (Cam type)

Performance parameter:

Handle load tension capability: $\phi 490\text{N}$
 Handle load torque capability: $\phi 26\text{N.m}$



	MS876-1	MS876-2
ERP	MS876N00140014	MS876N00140010